

TELEFUNKEN



**LED TV/
Телевизор цветного
изображения с
жидкокристаллическим
экраном**

TF-LED19S30

TF-LED22S30

TF-LED24S30

Instruction manual

**Руководство по
эксплуатации**



Table of contents

Dear customer!

Thank you for purchasing our product. For safety, it is strongly recommended to read this manual carefully before connecting, operating and/or adjusting the product and keep the manual for reference in the future.

Table of contents	2
Before you start	3
Utilization of the product	3
Important safeguards	3
Installation	4
Base installation	4
Wall mounting	4
Connection	5
Outdoor antenna connection	5
Other connections	5
Operation	6
Control elements	6
Front panel	6
Back panel	6
Remote controller	7
Changing the battery	7
General operations	8
Signal sources	8
Teletext operations	8
OSD operation	9
Channel setting	9
Picture setting	9
Sound setting	10
Timer setting	10
Option setting	10
Screen setting	11
USB operation	11
General playback information	11
Operations of file playback	11
General information	13
Troubleshooting	13
Causes of interference	13
Accessories	14
Specifications	14

Utilization of the product

If you want to dispose this product, do not mix it with general household waste. There is a separate collection system for used electronic products in accordance with legislation that requires proper treatment, recovery and recycling.

Please contact your local authorities for the correct method of disposal. By doing so, you will ensure that your disposed product undergoes the necessary treatment, recovery and recycling and thus prevent potential negative effects on the environment and human health.

Important safeguards

- Please unplug the power cord from the AC outlet and contact a service center for repair if following occurs: any obvious abnormality appears in the unit, such as smoky, peculiar smell or strange sound; liquid has been spilled or other objects have fallen into the unit; no picture or sound; cover or panel is broken; although you have operated the unit following the operating instructions, it still cannot work normally.

- This unit can be connected to a power supply outlet without the third ground contact as well as with a ground contact.

- Always disconnect the power cord and antenna during a storm.

- Do not fix the power cord with a metal nail.

- Unplug the power cord from the AC outlet; also unplug the signal cables from the input ports when the unit is unused for long periods of time.

- When unplugging the plug, always hold the wide slot, do not touch the metal part, and do not destroy, twist, pull or roast the power cord.

- Please contact the service center immediately if you found that the core is showed in the air or has been broken.

- Please replace the AC outlet if the metal bolt cannot be inserted into the power socket completely or it cannot be fastened even when it was pushed in, otherwise, any accidents of shocks and fires would happen.

- Never touch the antenna lie or power plug if it starts to thunder.

- Do not touch the power plug with wet hands.

- Do not use any non-rated power socket with numerous devices jointed on one power socket or cable device. The wire of non-designated capacity may cause the fire due to the generation of heat.

- All instructions must be read and understood well before you operate the unit. Heed all warnings and follow all instructions.

- Please use the accessories provided by the manufacturer. Using inadequate accessories may result in accidents.

- Please adjust the product through the panel buttons or the remote controller, do not remove the cover or attempt to service the product by yourself. Do not disassemble back cover and do not make maintenance by yourself to avoid the electric shock.

- Over-press the panel may destroy the product.

- Do not place the product on an unstable cart, stand surface, tripod, bracket, or table. The product may fall, causing serious accidents as well as the damage to the product.

- Please place the product on a flat surface in a well-ventilated location. Keep it away from the burning-light, direct sunlight, vibration, high-temperature and humidity.

- Do not place any vase, potted plant, cup, medicine and any container with water on this

Before you start

product. If the liquid is spilt, it may cause the fire, electric shock or breakdown.

- Do not install it at the place on the strong magnetic field or current field. It may cause break down. This equipment may be observed deterioration of the picture by electromagnetic radiation in electromagnetic environment.

- Fasten the wheel of the product or shelf with wheels when installing this product. If it moves or is tipped over, it may be damaged.

- Do not place any fire source such as candlelight close to this product or place it on this product. If it is tipped over or fallen down, it may cause damage or fire.

- Do not place the unit into closed space of TV for better ventilation; it can reduce the product lifetime. Keep a space at least 10 cm at above, left, and right of the TV.

- Please place all the signal cords behind of rear panel.

- Do not overexert or touch the panel when you convey the product. Do not transfer the LED TV up or down display direction.

- Do not transport it with the power cord or the connection cable connected. If you move this product with the power cord or the connection cable connected, damaged power cord, connection cable or connection terminal may cause fire, electric shock or breakdown.

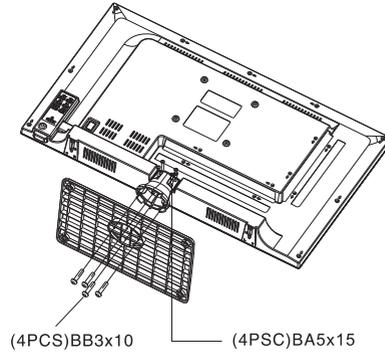
- 2 persons or more shall transport the device, which is heavier than 18 kg. If you drop or tip over the device, it may damage it.

- The temperature of the product's body becomes a little higher after a long period use. This phenomenon indicates that heat exchange in normal working mode, thus please do not let children or anyone who is sensitive of temperature to touch.

All images provided herein are schematic drawings of real objects and may differ from their real images.

Installation

Base instalation



- 1.Open the carton and remove the TV and scattered accessories and base (some models without base).
- 2.To avoid the injury of the TV, covered with a soft mattress, put it on the table, face down on a soft mattress, the base of the neck is fixed on the TV with screws.
- 3.Screw the base and connected to the TV.
- 4.The installation is complete.

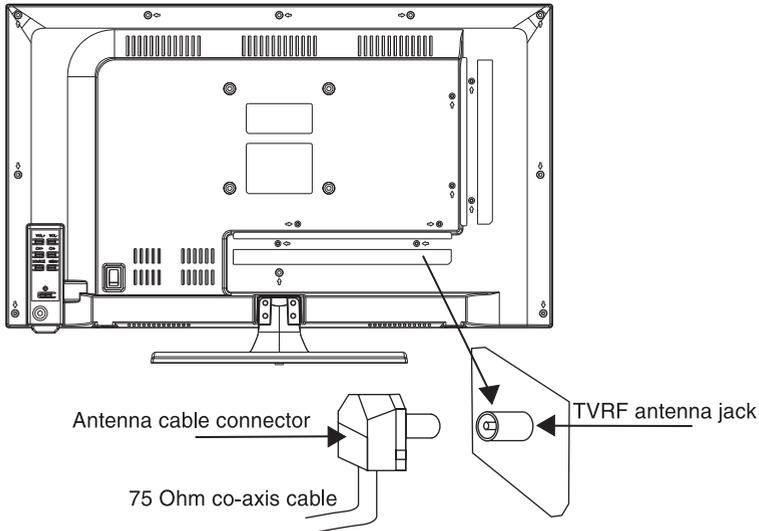
Wall mounting

- Unscrew the 4 screws from the stand in the back of the unit. Separate the stand from the cabinet before wall mounting.
- For wall mounting the back panel of this unit is equipped with 4 screw holes. A VESA wall-mount bracket should be used for wall mounting (the bracket is not included and should be acquired separately). Manufacturer is not responsible for improper mounting resulting in damage of the unit.

WARNING

In order to avoid damage, make sure to secure the unit on the wall according to the wall mounting instruction.

Connection



Outdoor Antenna Connection

Use 75Ω coaxial cable plug or $300-75\Omega$ impedance converter to plug in antenna input terminal on the rear of the cabinet.

Other connections

- Connect the audio sources (Including DVD, VCD, CAMCORDER and PC) to the proper Audio input jacks 'L' and 'R'.
- Connect the video source to the Composite video jack by RCA cable.
- Component input Y/Pb/Pr is intended to receive component video signal from the external device.
- Connect the AC power cord to a power outlet.
- When using the LED as a computer screen, connect the PC to the VGA jack from the monitor by the relevant cable (not included).
- This unit has PC audio in jack. Connect

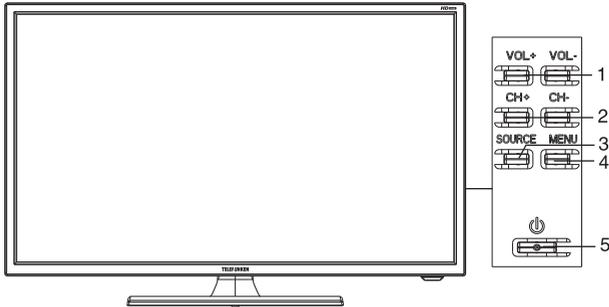
this jack to PC main unit with related audio cable in PC mode and adjust the volume to what you want.

- If the video source has a HDMI output jack, you can connect the signal to the monitor by the HDMI cable (not included).
- Connect your headphones or earphones (not included) to the headphone socket of this unit. When earphones are connected, the sound output through the built-in speakers of this unit is mute.

Operation

Control elements

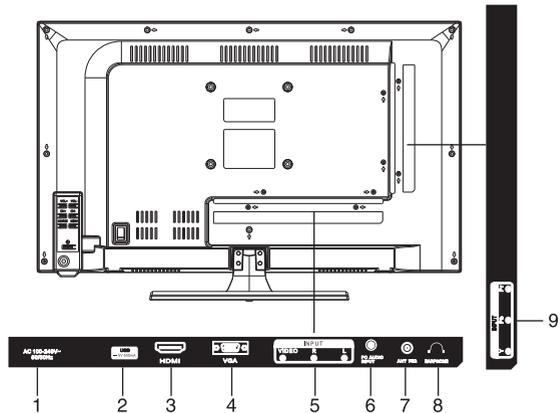
Front panel



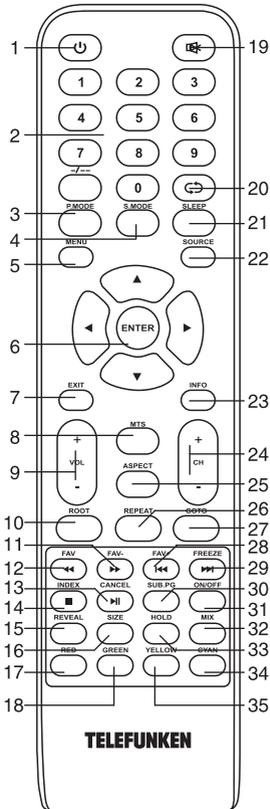
1. VOL+/VOL- buttons
2. CH+/CH- buttons
3. SOURCE button
4. MENU button
5. POWER/STANDBY button

Back panel

1. AC adapter input
2. USB port
3. HDMI input
4. VGA input
5. Composite video input
6. PC audio input
7. RF antenna jack
8. Earphone jack
9. Component video input (YPbPr)



Remote controller (RC)



1. POWER button
2. Number buttons
3. P.MODE button
4. S.MODE button
5. MENU button
6. Cursor (UP/DOWN/LEFT/RIGHT) buttons/
ENTER button
7. EXIT button
8. MTS button
9. VOL+/VOL- buttons
10. ROOT button

11. FAV- button
12. FAV+ button
13. CANCEL button
14. INDEX button
15. REVEAL button
16. SIZE button
17. RED button
18. GREEN button
19. MUTE button
20. SLEEP button
21. SOURCE button
22. INFO button
23. CH+/CH- buttons
24. ASPECT button
25. REPEAT button
26. GOTO button
27. FAV+ button
28. FREEZE button
29. SUB.PG button
30. ON/OFF button
31. MIX button
32. HOLD button
33. CYAN button
34. YELLOW button

Changing the battery

1. Remove the battery compartment cover on the back of the RC.
2. Insert two AAA batteries into the battery compartment making sure that the correct polarity is observed.
3. Install the cover back.
 - The RC should be pointed at remote sensor within 8 meters and within 30 degrees at the left or the right side.
 - Take the battery out of the RC if it is not used for a long time.
 - Do not mix new and used batteries or different types of batteries. Weak batteries can leak and severely damage the RC.
 - Do not expose the RC to shock, liquids, and do not place it in an area with high humidity.

Operation

General operations

- Press POWER button on the unit or on the RC to switch on the power, the indication light will be in green color. Press POWER button again to switch off the power, and the light will be in red color.
- Press VOL- button repeatedly to decrease the volume; press VOL+ button repeatedly to increase the volume.
- Press SLEEP button repeatedly to set the sleep time (from 10 to 240 min).
- Press \odot button on the RC to select from the present channel and the previously displayed channel.
- Press ASPECT button repeatedly to select a screen display size from the available list: 4:3/16:9/Zoom1/Zoom2. Available aspects may differ for different signal sources.
- Press MUTE button to cut off sound, press this button again or adjust volume to resume sound.
- Select the TV function mode. Press CH-/CH+ buttons to select previous or next channels; or press number buttons and [-/+] button to enter a channel number directly.
- Press P.MODE button repeatedly to cycle through the available video picture modes from the following types: Dynamic/Standard/Mild/User.
- Press S.MODE button repeatedly to cycle through the available sound modes from the following types: Standard/Music/Movie/Sports/User.
- Press INFO button to display the preset TV channel play information.
- Press FREEZE/▶▶ button to freeze the picture on or off.
- Press FAV button to show the favourite channel list. Press FAV+/FAV- buttons to select next or previous favorite channel.
- Press MTS button in TV mode repeatedly to switch between various Nicam sound modes (can be unavailable for some channels).

Signal sources

Press SOURCE button, then press DOWN/UP cursor buttons on the RC or CH-/CH+ buttons on the panel to select a source from available source list: TV - AV - SCART - YPBPR - HDMI - PC - Media. Press ENTER button on the RC or MENU button on the panel to confirm.

TELETEXT operations (option)

- Select the TV source mode. Then press CH-/CH+ buttons to select TV channel in order to pick up the picture signal of Teletext.
- Press CH-/CH+ buttons to select the previous page or the next page.
- Teletext button functions are as follows:
 - ON/OFF: Press TEXT button to enter into TEXT mode. Press this button again to return to the channel you are watching.
 - HOLD: Press this button to stop the move to the next page. Press this button again to cancel operation.

INDEX: Press this button to go to the index page.

SIZE: Press this button to enlarge the text shown on the teletext screen, and one half of page could be shown. Press this button again to view the second half of this page. Press this button third time to normal size text page view.

REVEAL: Press this button to reveal the cancelled information. Press this button again to cancel the information.

SUB.PG: Press this button to select sub page, and the sub-page symbol will appear in the left top hand corner of the screen. Enter the number of sub page and use numeric buttons in the format 0001 for sub page 1. The teletext will search for the sub page.

CANCEL: When a text page is selected, it may take some time before it becomes available; press this button to return to TV mode. When the required page is found, its number will be displayed at the top of the screen; press this button to return to the teletext mode and browse the page.

MIX: Press this button to mix the teletext and current TV signal image (transparent background).

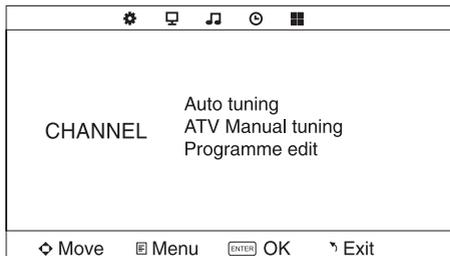
RED/GREEN/YELLOW/CYAN buttons:
Press these 4 color buttons to access directly to corresponding color page displayed at the lower parts of teletext screen.

OSD operation

1. Press MENU button to enter the setting menu displayed on the screen.
2. Press LEFT/RIGHT cursor buttons on the RC or VOL+/- buttons on the panel to select setting page.
3. Press DOWN cursor button or ENTER button on the RC or CH+ button on the panel to go to the parameter list.
4. Press UP/DOWN cursor buttons on the RC or CH+/- buttons on the panel to select a parameter to adjust.
5. Press cursor buttons on the RC or VOL+/- or CH+/- buttons on the panel to adjust the selected parameter.
6. Press EXIT button to quit the menu.

 Some menu items may be in grey color, in this case they are not adjustable. Pictures of OSD menu are for reference only; they may differ from the real screens.

Channel setting (only for TV source)



- **Auto tuning:** press ENTER button to start automatic search of available channels. To stop the process press MENU or EXIT button.
- **ATV Manual tuning:** Press ENTER button to enter into manual tuning menu:
Current Channel: select channel number.
Color System: select corresponding color

system (PAL/SECAM/NTSC).

Sound System: select corresponding sound system (DK/BG/I).

Fine-tune: perform fine adjustment of the current frequency.

AFC: set On/Off automatic frequency correction.

Search: press LEFT/RIGHT buttons; the unit will search for next available channel downward or upward and save it under the current number.

- **Program Edit:** this item allows you to sort TV programs according to your preferences. Enter into program edit menu:

Delete: Select the channel you want to delete. Press red button to delete the channel.

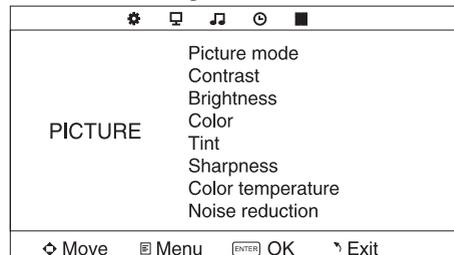
Rename: Highlight the needed channel. Press green button; then press UP/DOWN buttons to select a symbol. Press LEFT/RIGHT buttons to select the next symbol. Press ENTER button to confirm.

Move: Highlight the needed channel. Press yellow button; select the position to put the channel into. Press yellow button to confirm.

Skip: Highlight the needed channel. Press blue button; now this channel will be skipped when you select previous/next channels.

Favorite: Select the channel you want to edit. If this channel is your favorite channel, you can add the mark ♥ to the channel as your favorite channel by pressing FAV button.

Picture setting



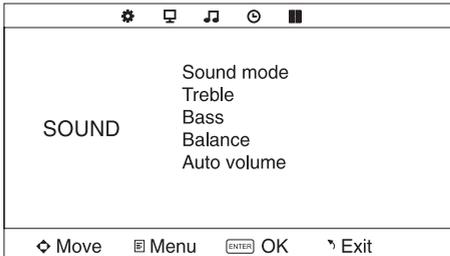
- **Picture Mode:** Dynamic/Standard/Mild/User.
- **Contrast, Brightness, Color, Tint** (adjust

Operation

the tone of color when your system is in NTSC), **Sharpness**

- **Colour Temperature:** Normal/Warm/Cool.
- **Noise Reduction:** Digital noise reduction effect for reducing the video noise level: Off/Low/Middle/High.

Sound setting



- **Sound mode:** Standard/Music/Movie/Sports/User.
- **Treble:** adjust treble frequency (only in User sound mode).
- **Bass:** adjust bass frequency (only in User sound mode).
- **Balance:** adjust balance between left and right speaker.
- **Auto volume:** set the auto volume correction on/off. It will level out the sound volume when sudden changes in volume occur during commercial breaks or channel change.

Timer setting

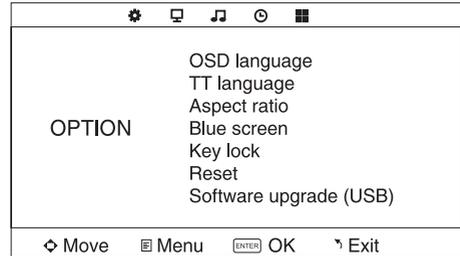


- **Sleep timer:** select the period until automatic switch-off of the unit (10 - 240 min).
- **Auto sleep:** select the period of time after

which the unit will automatically switch off if no operation is done.

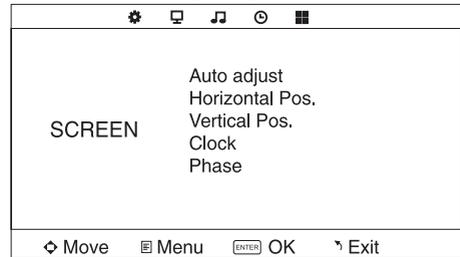
- **OSD timer:** select the period of time after which the OSD will be hidden.

Option setting



- **OSD Language:** select the language of the OSD menu.
- **TT Language:** select teletext language.
- **Aspect ratio:** 4:3/16:9/Zoom1/Zoom2. The set of available aspects can vary depending on the current signal source.
- **Blue screen:** set on or off blue screen activation when no signal.
- **Key lock:** select ON to lock all buttons on the panel. Set OFF to unlock the buttons.
- **Reset:** reset the parameters to initial factory settings.
- **Software upgrade:** this option is intended for using by qualified technicians only.

Screen setting (only for PC mode)



- **Auto adjust:** automatical setting of the parameters.
- **Horizontal Position:** adjust horizontal position of the image.

- **Vertical Position:** adjust vertical position of the image.
- **Clock:** adjust the image frequency manually.
- **Phase:** adjust the phase manually.

USB operation

General playback information

- Insert a USB into the USB jack. Select Media source and press ENTER button. The screen will show a USB playback window, in which you can select Music, Photo, Movie and Text contents to play by pressing LEFT/RIGHT cursor buttons and ENTER button.
 - USB file systems supported: FAT16, FAT32, NTFS. 2.0 USB version is supported; maximum capacity 400 Gb. For correct and satisfactory operation, licensed USB devices of famous brands should be used with this unit. Avoid using USB devices of unknown brands. Playback of some file formats cannot be supported.
 - This unit supports playback of video files with ASF, AVI, MKV, MPG extension, with video codecs WMV9, DIVX, H263, MPEG-4, MPEG2, XVID and audio codecs WMA, MP3, DD(AC3). Video image resolution should not be more than 576x720.
-  The above list of extensions and codecs is for information only and is not a guarantee that all files having the above extensions and codecs should be read by this unit.
 - Some AVI files cannot be played due to their parameters and recording conditions. Video files more than 2 Gb having AVI extension can be played partially.

Such damages are not warranty cases.

Warning: usage of external USB drives containing BIN files in the root directory may cause malfunction of the unit or damage to the software.

Operations of file playback

- Press cursor buttons to select Return option and press ENTER button if you want to go back to the previous menu.
 - In the content menu, press cursor buttons to select folder, press ENTER button or CANCEL/⏪ button to enter it, then press cursor buttons to select the file you want to watch or to listen to. When highlighting the file, the file information will appear on the right (not available for text files) and picture will be previewed in the center (not available for music and text files). Press ENTER button or CANCEL/⏪ button to play the selected file.
 - While playback, press ENTER button; the bottom of the screen will show playback menu in which you can select an operation by LEFT/RIGHT cursor buttons to perform this operation by pressing ENTER button. The operations are as follows:

	Play or pause playback	All files
	Select previous file	All files
	Select next file	All files
	Stop playback and return to previous menu	All files
	Select repeat playback mode	All files
	Play music in background mode when photo or text file is being browsed (you should select music file first)	Photo and Text
	Show playlist	All files
	Show file information	All files

Operation

	Rotate image clockwise	Photo
	Rotate image anti-clockwise	Photo
	Fast backward playback	Music
	Fast forward playback	Music
	Mute the sound	Music
	Select time to start playback from	Music
	Fragment repeat playback. Press OK to select initial point, press OK to select final point of the fregment	Movie
	Slow playback	Movie
	Step playback	Movie
	Zoom in	Movie
	Zoom out	Movie
	Select aspect ratio	Movie

- While playback, press CANCEL/▶▶ button to pause or resume playback. Press INDEX/■ button to stop playback.
 - When playing photo, movie and music files, you can press REPEAT button to select the repeat play mode. Press ROOT button to go to the root menu of the storage.
 - When playing music files you can press ◀◀ /▶▶ buttons to fast reverse or forward. You can press ◀◀▶▶ buttons to select the desired files manually in normal condition.
 - When playing photo files, you can press ◀◀▶▶ buttons to page up or page down the file. Press LEFT/RIGHT cursor buttons to rotate the image.

Troubleshooting

Below is a table describing simple measures that can help you eliminate most problems likely to emerge when this unit is in use. If below measures do not help, turn to a service center or to the nearest dealer.

Symptom	Cause	Solution
No picture, no sound, and no indicator light	The power cord is not plugged in. Contrast, brightness, color and volume are all in the minimum value or TV is in mute mode.	Plug the power cord in. Alter the value of contrast, brightness, color and volume.
Picture and sound with abnormality	Contrast and color are set improperly. Color system is set improperly. Sound system is set improperly.	Set the value of Contrast and color properly. Set the sound system properly.
The picture in VGA mode is abnormal	The PC settings may be improper.	Check and set the resolution parameters of your PC.
Picture is spotted or with snow	Signal source is low-grade or the signal is in a lower quality.	Use the qualified signal cord.
Blue background	No video signal or the signal cord is improperly/not connected.	Connect the signal cord properly.
No sound	No audio signal or the signal cord is improperly/not connected.	Connect the audio signal cord properly. Set the sound system properly.
The RC does not work	Batteries are improperly installed or exhausted.	Make sure the positive and the negative polarities are correct. Reattach the battery lid. Replace the batteries.

Causes of interference

Incorporated in your TV receiver are the most up-to-date devices to eliminate interference. Local radiation however, can create disturbances, which visibly affect your picture. Proper installations, a good aerial are your best safeguards against these disturbances.

- **RF INTERFERENCE:** Moving ripples across the screen are caused by nearby transmitting or receiving short-wave radio equipment.
- **DIATHERMY:** Herringbone pattern and partial picture loss can result from the operation of diathermy equipment from a nearby doctor's surgery or hospital.
- **SNOW:** Weak TV signals from long distant stations result in an instead picture and give the effect of falling snow. An antenna adjustment or antenna amplifier may be needed.
- **GHOST:** Multiple image, caused by TV signals reflected back from surrounding buildings, hills, aircraft, etc. is minimized by correct aerial positioning.
- **CAR IGNITION:** Nearby cars and electrical motors can cause small streaks across the picture

General information

or make the picture roll.

Accessories

1. LED TV	1 pc	4. Base	1 pc
2. Remote controller	1 pc	5. Screw	8 pcs
3. Stand	1 pc	6. Consumer information	1 pc
		7. Warranty card	1 pc
		8. Instruction manual	1 pc

Specifications

Size (diagonal)	18.5" (47 cm)/21.5" (55 cm)/23.6" (60 cm)	
Resolution	1366x768/1920x1080 (TF-LED22S30)	
Aspect ratio	16:9	
Response time	20 ms/8ms/7.4 ms	
Color system	PAL, SECAM	
Sound system	B/G, DK, I	
NICAM Stereo	2 x 3 W	
Component input	+	
Composit AV RCA in	+	
PC audio input	+	
VGA in	+	
HDMI in	+	
Headphone jack	+	
Russian and English OSD	+	
Progressive scan	+	
Digital comb filter	3D	
Sleep timer	+	
USB movie, audio and photo support	+	
Quantity of channels	199	
Teletext	1000 pages	
Electric shock protection class	II	
Nominal voltage range of the LED TV:	~100–240 V; 50/60 Hz;	
	TF-LED24S30	TF-LED22S30
Unit dimensions: without stand	551.7 x 175.9 x 361 mm	503 x 51.3 x 316 mm
with stand	551.7 x 51.3 x 325 mm	503 x 176 x 340 mm
Net weight	3.50 kg	3.00 kg
	TF-LED19S30	
	437.4 x 261.6 x 51.3 mm	
	437.4 x 302.2 x 51.3 mm	
	2.70 kg	

 The LED panel is a high technology product with many thin film transistors that can give you a fine picture details. Occasionally, a few non-active pixels may appear on the screen as a fixed point of blue, green, red, black or white, please note that this does not affect the performance of your LED TV.

Warning: Specifications may be subject to change without notice for improvement.

Уважаемый покупатель!

Благодарим Вас за покупку нашего изделия. Чтобы понять, как правильно и безопасно пользоваться приобретенным устройством, рекомендуется тщательно изучить настоящее руководство перед подключением и эксплуатацией изделия. Сохраняйте руководство для использования в будущем.

Содержание	15
Перед началом эксплуатации	16
Утилизация изделия	16
Меры предосторожности	16
Установка	18
Установка на подставку	18
Крепление на стену	18
Подключение	19
Подключение внешней антенны	19
Прочие подключения	19
Управление устройством	20
Элементы управления	20
Передняя панель	20
Задняя панель	20
Пульт дистанционного управления	21
Установка батареек	21
Общие операции	22
Источники сигнала	22
Операции с телетекстом	22
Экранное меню	23
Настройка каналов	23
Настройка изображения	24
Настройка звука	24
Настройка таймера	24
Настройка параметров	24
Настройка экрана	25
Операции с USB	25
Общая информация	25
Воспроизведение файлов	25
Общая информация	28
Руководство по устранению неисправностей	28
Источники помех	28
Комплект поставки	29
Технические характеристики	30

Перед началом эксплуатации

Утилизация изделия

Если вы желаете утилизировать данное изделие, не выбрасывайте его вместе с обычным бытовым мусором. Существует отдельная система сбора использованных электронных изделий в соответствии с законодательством, которая предполагает соответствующее обращение, возврат и переработку.

Обращайтесь в органы местного управления за инструкциями по правильной утилизации продукта. Тем самым Вы обеспечите утилизацию Вашего изделия с соблюдением обязательных процедур по обработке, утилизации и вторичной переработке и, таким образом, предотвратите потенциальное негативное воздействие на окружающую среду и здоровье людей.

Меры предосторожности

- Пожалуйста, извлеките шнур питания из розетки и свяжитесь с сервисной службой в следующих случаях: если в устройстве имеются явные неисправности, например, из него идет дым, чувствуется специфический запах или слышен нехарактерный звук; если внутрь устройства попала жидкость или посторонние предметы; если нет изображения или звука; если поврежден корпус или панель; если Вы пользуетесь устройством согласно инструкции, но оно не работает должным образом.

- Данное изделие может подключаться к розетке питания как без заземляющего третьего контакта, так и с заземляющим третьим контактом.

- Во избежание поражения электрическим током защищайте шнур питания от возможного нажатия на него или заземления, особенно рядом с разъемами.

- Не закрепляйте шнур питания метизами.

- Если Вы не пользуетесь устройством длительное время или в случае грозы обязательно отключайте шнур питания из розетки, а также отключайте все сигнальные кабели от входных разъемов.

- При отключении вилки из розетки всегда держитесь за утолщение на вилке, не касайтесь металлических частей, не тяните за шнур и не ломайте и не перегибайте его, не ремонтируйте, не перекручивайте и не нагревайте.

- Немедленно свяжитесь с сервисным центром, в случае если имеются какие-либо неисправности шнура питания, в нем оголились жилы или он поврежден.

- Замените сетевую розетку, если в нее невозможно вставить вилку или вилка плохо закрепляется в розетке. Иначе могут возникнуть неисправности или произойти несчастные случаи или возгорания.

- Не прикасайтесь к проводам мокрыми руками.

- Запрещается использование розетки, в которую подключено несколько устройств. Перегрузка такой розетки может привести к пожару.

- Место подключения вилки шнура питания к сети 220 В должно оставаться легкодоступным.

- Перед работой с устройством необходимо полностью прочитать и понять все инструкции. Необходимо соблюдать все предупреждения и следовать всем инструкциям, приведенным в настоящем руководстве.

- Пожалуйста, используйте только реко-

Перед началом эксплуатации

мендованные производителем аксессуары. Использование других аксессуаров может привести к неисправностям.

- Пожалуйста, проводите все настройки и регулировки только с помощью кнопок на передней и боковой панелях или на пульте дистанционного управления. Ни в коем случае не снимайте заднюю панель и не пытайтесь самостоятельно проводить техническое обслуживание устройства, так как существует опасность поражения электрическим током, а также возможно возникновение неисправностей.
- Не устанавливайте устройство на непрочные или неровные поверхности, тележки, стойки, треноги, кронштейны или столы. Устройство может упасть, в результате чего могут возникнуть неисправности или произойти несчастные случаи. Используйте только те приспособления, которые рекомендованы производителем или продавцом.
- Пожалуйста, устанавливайте устройство на горизонтальной поверхности в местах с хорошей вентиляцией. Не допускайте воздействия на устройство вибрации, прямого солнечного света, высокой температуры, а также попадания пыли и влаги.
- Не ставьте на устройство вазы, сосуды с жидкостью. Попадание жидкости внутрь аппарата может привести к пожару или поломке устройства.
- Не устанавливайте устройство в зоне магнитных волн. Это может привести к поломке устройства. В зоне электромагнитного излучения может наблюдаться искажение изображения.
- Не устанавливайте вблизи устройства источники открытого огня, например, свечи. В случае их падения устройство может быть повреждено или может произойти возгорание.
- Установка телевизора в замкнутое пространство при эксплуатации может сократить срок службы устройства; поэтому необходимо обеспечить минимальную

дистанцию между LCD-телевизором и внутренними границами приспособления под аппарат для нормальной вентиляции (минимум по 10 см свободного пространства со всех сторон).

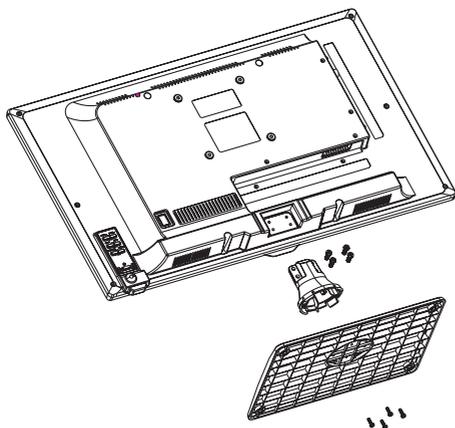
- Располагайте кабели позади устройства. Не закрепляйте их метизами, не перегибайте, не ремонтируйте и не нагревайте.
- При перемещении телевизора не нажимайте и не касайтесь панели. Не переносите телевизор в положении, при котором экран направлен вверх или вниз.
- Не перемещайте устройство при подключенном проводе питания или других подключенных проводах. Повреждение провода питания, подключенный провод или подключенные устройства могут стать причиной пожара, электрошока или поломки.
- Если устройство тяжелее 18 кг, его должны перемещать не менее 2 человек. При падении устройство может повредиться.
- Слишком сильное нажатие на панель может повредить устройство.
- При длительном использовании может немного повысится температура корпуса устройства. Это явление свидетельствует о теплоотдаче в нормальном рабочем режиме. Однако не позволяйте детям и людям с повышенной температурной чувствительностью касаться устройства.

Все иллюстрации, приведенные в настоящем руководстве, являются схематическими изображениями, которые могут отличаться от реальных объектов.

Установка/Подключение

Установка

Установка на подставку



Выберите ровную плоскую горизонтальную поверхность, накройте ее мягкой тканью и разместите на ней корпус телевизора экраном вниз. Присоедините подставку к основанию таким образом, чтобы отверстия в подставке и в основании совпадали. Зафиксируйте подставку с помощью 4 винтов ВВ3*10 мм. Присоедините подставку вместе с основанием к задней части корпуса телевизора таким образом, чтобы отверстия в подставке и в корпусе совпали. Зафиксируйте подставку с помощью 4 винтов ВА5*15 мм.

Крепление на стену

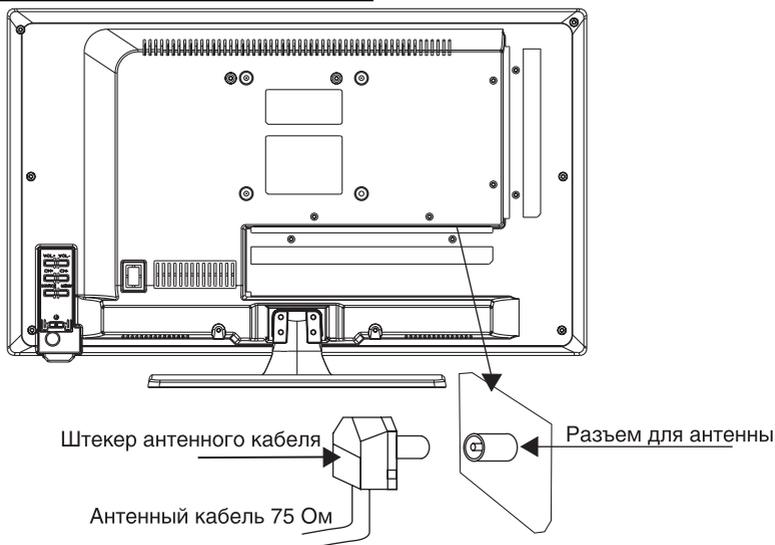
- Перед установкой телевизора на стену отделите подставку от корпуса, предварительно вывернув 4 шурупа, фиксирующих подставку на нижней части корпуса.
- Для крепления на стену на задней панели телевизора имеются 4 отверстия под винты. Для крепления следует использовать настенный кронштейн стандарта VESA (в

комплект поставки не входит и приобретается отдельно). Производитель не несет ответственности за неправильно выполненный монтаж, повлекший повреждение телевизора.

ПРЕДУПРЕЖДЕНИЕ

Во избежание повреждений надежно закрепите аппарат на стене в соответствии с требованиями инструкции по установке.

Подключение



Подключение внешней антенны

Подсоедините антенну к соответствующему разъему. Используйте коаксиальный кабель 75 Ом при подключении внешней антенны.

Прочие подключения

- Подсоедините источник аудио сигнала (DVD, CAMCORDER) к соответствующим аудио разъемам 'L' (Левый) и 'R' (Правый).
- Композитный видео вход телевизора подсоединяется к композитному выходу другого видео оборудования с помощью аудио-видеокабеля RCA.
- Компонентный видеовход Y/Pb/Pr служит для получения компонентного видеосигнала от внешнего источника.
- Разъем питания предназначен для подключения телевизора к сети электрического питания.
- Подсоедините VGA-кабель (в комплект не входит) к VGA-порту ПК и к VGA-разъему телевизора; затяните болты по часовой

стрелке на обоих концах кабеля.

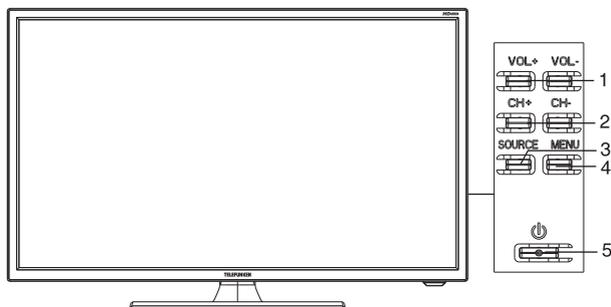
- Компьютерный аудиовход служит для получения телевизором аудио сигнала с персонального компьютера.
- Если источник видеосигнала имеет HDMI-выход, подключите его к HDMI-входу телевизора, используя специальный HDMI-кабель (в комплект не входит).
- Подсоедините наушники к разъему для наушников. При подсоединенных наушниках звук через динамики телевизора не воспроизводится.

Для подключения дополнительных периферийных устройств используйте только сертифицированные кабели и переходники. Все соединения производите только после отключения основного питания телевизора от сети.

Управление устройством

Элементы управления

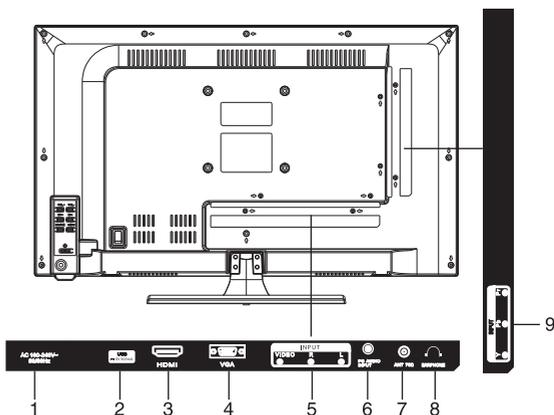
Передняя панель



1. Кнопки VOL+/VOL-
2. Кнопки CH+/CH-
3. Кнопка SOURCE
4. Кнопка MENU
5. Кнопка POWER

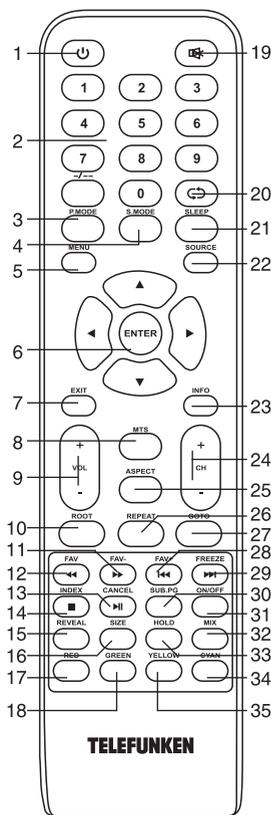
Задняя панель

1. Разъем для адаптера
2. USB-порт
3. Вход HDMI
4. Вход VGA
5. Композитный видеовход
6. Компьютерный аудиовход
7. Разъем для антенны
8. Разъем для наушников
9. Компонентный видеовход (YPbPr)



Управление устройством

Пульт дистанционного управления



1. Кнопка POWER
2. Кнопки с цифрами
3. Кнопка P.MODE
4. Кнопка S.MODE
5. Кнопка MENU
6. Кнопки курсора (ВВЕРХ/ВНИЗ/ВЛЕВО/ВПРАВО)/Кнопка ENTER
7. Кнопка EXIT
8. Кнопка MTS
9. Кнопки VOL+/VOL-

10. Кнопка ROOT
11. Кнопка FAV->>>
12. Кнопка FAV/<<<
13. Кнопка CANCEL/||
14. Кнопка INDEX/■
15. Кнопка REVEAL
16. Кнопка SIZE
17. Кнопка RED (красная)
18. Кнопка GREEN (зеленая)
19. Кнопка MUTE
20. Кнопка ↻
21. Кнопка SLEEP
22. Кнопка SOURCE
23. Кнопка INFO
24. Кнопки CH+/CH-
25. Кнопка ASPECT
26. Кнопка REPEAT
27. Кнопка GOTO
28. Кнопка FAV+//<<<
29. Кнопка FREEZE/▶▶▶
30. Кнопка SUB.PG
31. Кнопка ON/OFF
32. Кнопка MIX
33. Кнопка HOLD
34. Кнопка CYAN (голубая)
35. Кнопка YELLOW (желтая)

Установка батареек

1. Снимите крышку отсека для батареек на задней части ПДУ.
2. Поместите батарейки в отсек для батареек с правильным соблюдением полярности.
3. Установите крышку отсека на место.
 - Вставьте две батарейки AAA/1.5V в отсек для батарей ПДУ. Мощность сигнала, необходимая для приемного датчика, обеспечивается на расстоянии до 8 метров и в пределах 30 градусов влево и вправо.
 - Не используйте одновременно новые и использованные батарейки или батарейки разных типов.

Управление устройством

Общие операции

- Нажмите кнопку POWER на панели телевизора или на ПДУ, чтобы включить питание. Нажмите кнопку POWER, чтобы выключить телевизор и перевести его в режим ожидания; для полного отключения вытащите кабель питания из розетки.
 - Нажимайте кнопки VOL-/VOL+ для регулирования уровня громкости звука.
 - Нажимайте кнопку SLEEP для выбора периода времени, по истечении которого телевизор автоматически отключится (от 10 до 240 минут).
 - Нажмите кнопку \curvearrowright на ПДУ для переключения между текущим и предыдущим просматриваемыми каналами.
 - Нажмите кнопку ASPECT для выбора одного из доступных форматов изображения на экране: 4:3/16:9/Масштаб1/Масштаб2. Форматы могут различаться в зависимости от текущего источника сигнала.
 - Нажмите кнопку MUTE для отключения звука. Для включения звука нажмите эту кнопку повторно или регулируйте громкость.
 - Выберите режим TV. Нажимайте кнопки CH-/CH+, чтобы выбрать предыдущий или следующий канал. С помощью кнопок с цифрами 0-9 и кнопки [-/-] можно непосредственно выбрать номер нужного канала.
 - Нажимайте кнопку P.MODE для переключения по меню режимов изображения, состоящему из следующих пунктов: Кино => Динамичный => Стандартный => Польз.
 - Нажимайте кнопку SMART S. для переключения по меню режимов звука, состоящему из следующих пунктов: Стандартный => Динамичный => Мягкий => Польз.
 - Нажмите кнопку INFO для отображения информации о текущем канале.
 - Нажмите кнопку FREEZE для включения стоп-кадра.
 - Нажмите кнопку FAV для отображения списка любимых каналов. Нажимайте кнопки FAV+/FAV- для выбора предыдущего или следующего любимого канала.

- Нажимайте кнопку MTS в режиме TV для выбора одного из режимов звука Nicam (данная операция доступна не для всех ТВ-каналов).

Источники сигнала

Нажмите кнопку SOURCE, затем нажимайте кнопки курсора ВНИЗ/ВВЕРХ на ПДУ или кнопки CH+/CH- на панели, чтобы выбрать один из доступных источников сигнала: TV - AV - YPBPR - HDMI - PC - Медиа. Нажмите кнопку ENTER на ПДУ или кнопку MENU на панели для подтверждения.

Операции с телетекстом (опция)

- Выберите режим TV. Затем с помощью кнопку CH-/CH+ выберите телеканал, подерживающий телетекст.
 - Кнопки телетекста на ПДУ имеют следующие функции:
 - Кнопка ON/OFF: нажмите для входа в режим TEXT. Нажмите повторно для возврата к просмотру телеканала.
 - Кнопка HOLD: Нажмите, чтобы остановить переход к следующей странице. Нажмите кнопку повторно, чтобы отменить эту операцию.
 - Кнопка INDEX: нажмите для перехода к странице индекса.
 - Кнопка SIZE: Нажмите для увеличения текста, отображаемого на странице телетекста, или отображения половины страницы. Нажмите повторно для отображения второй половины страницы. Нажмите кнопку еще раз для отображения текста в нормальном размере.
 - Кнопка REVEAL: Нажмите эту кнопку для отображения скрытой информации. Нажмите эту кнопку повторно, чтобы скрыть информацию.
 - Кнопка SUB.PG: Нажмите эту кнопку для выбора подстраницы. В левом верхнем углу экрана появится значок подстраницы. Введите номер подстраницы в формате 0001.
 - CANCEL: После выбора страницы телетекста может пройти некоторое время,

прежде чем она станет доступна. Нажмите кнопку CANCEL, чтобы свернуть режим телетекста и вернуться к просмотру ТВ. Когда выбранная страница будет обнаружена, в верхней части дисплея отобразится ее номер. Нажмите кнопку CANCEL, чтобы вернуться к просмотру телетекста.

МIX: Нажмите эту кнопку для перехода к смешанному отображению картинки ТВ и телетекста (в виде полупрозрачного фона).

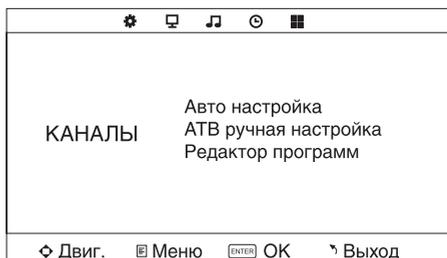
Красная/Зеленая/Желтая/Голубая кнопки: Используйте четыре цветовых кнопки для непосредственного перехода на страницу, имеющую цветовой код, которая отображается в нижней части страницы телетекста.

Экранное меню

1. Нажмите кнопку MENU, чтобы вызвать экранное меню настройки.
2. Нажимайте кнопки курсора ВЛЕВО/ВПРАВО на ПДУ или кнопки VOL+/- на панели для выбора нужной страницы меню.
3. Нажмите кнопку курсора ВНИЗ или кнопку ENTER на ПДУ или кнопку CH+ на панели, чтобы перейти к списку параметров.
4. Нажимайте кнопки курсора ВВЕРХ/ВНИЗ на ПДУ или кнопки CH+/- на панели, чтобы выбрать параметр для настройки.
5. Нажимайте кнопки курсора на ПДУ или кнопки VOL+/- или CH+/- на панели, чтобы настроить выбранный параметр.
6. Нажмите кнопку EXIT, чтобы выйти из меню.

 Внешний вид меню может отличаться от приведенных ниже изображений, которые служат только для наглядности.

Настройка каналов (только в режиме ТВ)



- **Автонастройка:** нажмите кнопку курсора ENTER для запуска автоматического поиска и сохранения всех доступных каналов. Для остановки поиска нажмите кнопку MENU или EXIT.

- **Ручная настройка:** Нажмите кнопку ENTER, чтобы войти в меню ручной настройки, состоящее из следующих пунктов:
 - Текущий канал: выберите номер канала.
 - Система цвета: выберите систему цветности (PAL/SECAM/NTSC).
 - Система звука: выберите систему звука (DK/BG/I).

- Точная настройка: выполните точную подстройку текущей частоты.

- АПЧ: включите или отключите автоматическую подстройку частоты.

- Поиск: нажмите кнопку курсора ВЛЕВО или ВПРАВО для запуска поиска ближайшего доступного канала вниз или вверх по диапазону и сохранения его под выбранным номером.

- **Редактор программ:**

- Удалить: Выберите канал, который Вы хотите удалить. Нажмите красную кнопку, чтобы удалить выбранный канал.

- Переименовать: Выберите канал. Нажмите зеленую кнопку; затем с помощью кнопок курсора ВВЕРХ/ВНИЗ выберите символ. Нажимайте кнопки курсора ВЛЕВО/ВПРАВО для перехода к предыдущему или следующему символам. После введения всех символов имени канала нажмите кнопку ENTER, чтобы подтвердить переименование.

- Двигать: Выберите канал. Нажмите желтую кнопку; с помощью кнопок курсора

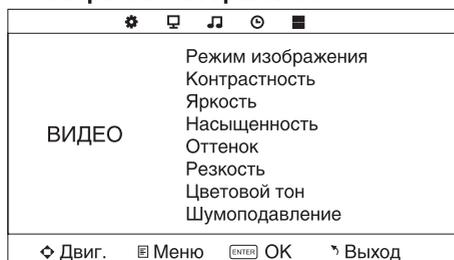
Управление устройством

выберите позицию для перемещения выбранного канала. Нажмите желтую кнопку для перемещения канала.

Пропустить: Выберите канал. Нажмите голубую кнопку; теперь этот канал будет пропущен при перелистывании каналов.

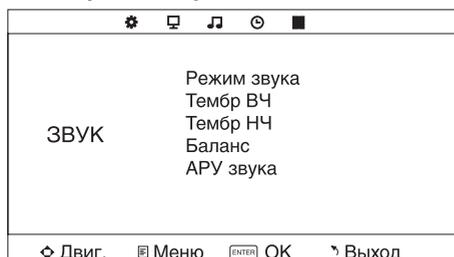
Любимые: Выберите канал, который хотите поместить в список любимых каналов. Нажмите кнопку FAV, чтобы установить символ ♥ напротив выбранного канала. Теперь канал внесен в список любимых.

Настройка изображения



- **Режим изображения:** Кино/Динамичный/Стандартный/Польз.
- **Контрастность, Яркость, Насыщенность, Оттенок** (настройка оттенка доступна только для системы NTSC), **Резкость**
- **Цветовой тон:** Холодн./Норм./Тепл..
- **Шумоподавление:** Выберите режим коррекции цветовых шумов в случае если сигнал плохой: выкл./низк./сред./высок.

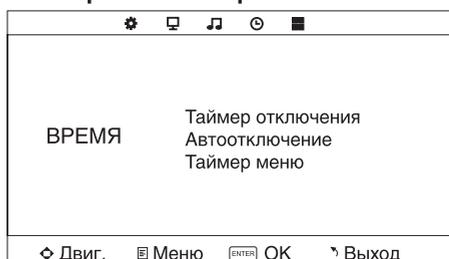
Настройка звука



- **Режим звука:** Стандартный/Динамичный/Мягкий/Польз.

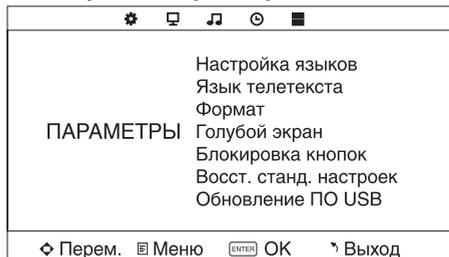
- **Тембр ВЧ:** отрегулируйте высокие частоты (только в режиме Польз.).
- **Тембр НЧ:** отрегулируйте низкие частоты (только в режиме Польз.).
- **Баланс:** отрегулируйте баланс между правым и левым динамиками.
- **АРУ звука:** включите или отключите автоматическую регулировку громкости. При скачках громкости, связанных с вещанием рекламных роликов или с переключением каналов, громкость будет регулироваться автоматически.

Настройка таймера



- **Таймер отключения:** выберите период времени, по истечении которого телевизор автоматически отключится (10 - 240 минут).
- **Автоотключение:** выберите период времени, по истечении которого телевизор отключится при отсутствии операций.
- **Таймер меню:** выберите время отображения экранного меню.

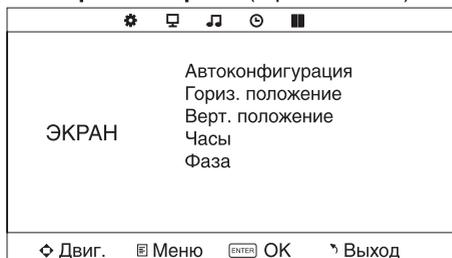
Настройка параметров



- **Настройка языков:** выберите язык экранного меню.

- **Язык телетекста:** выберите язык телетекста.
- **Формат:** 4:3/16:9/Масштаб1/Масштаб2. Набор доступных форматов может различаться в зависимости от источника сигнала.
- **Голубой экран:** включите или отключите активацию синего фона при отсутствии сигнала.
- **Блокировка кнопок:** установите ВКЛ, чтобы заблокировать кнопки на панели телевизора от нажатий. Для снятия блокировки выберите ВЫКЛ.
- **Восстановить стандартные настройки:** сброс выполненных настроек до заводских значений.
- **Обновление ПО USB:** данная операция должна выполняться только квалифицированным специалистом.

Настройка экрана (в режиме PC)



- **Автоконфигурация:** автоматическая установка параметров.
 - **Гориз. положение:** отрегулируйте горизонтальную позицию изображения.
 - **Верт. положение:** отрегулируйте вертикальную позицию изображения.
 - **Часы:** отрегулируйте частоту смены изображения.
 - **Фаза:** отрегулируйте фазу.
- Экранное меню Вашего телевизора может быть изменено без предварительного уведомления и, следовательно, отличаться от меню, представленного в настоящем Руководстве.

Операции с USB

Общая информация

- Вставьте USB-накопитель в USB-порт данного устройства. Выберите источник сигнала USB и нажмите кнопку ENTER. На дисплее отобразится интерфейс воспроизведения файлов с USB, в котором Вы можете выбрать с помощью кнопок курсора ВЛЕВО/ВПРАВО и кнопки ENTER воспроизведение музыки, фото, видео или текстов.
 - Поддержка USB: версия USB 2.0; файловые системы FAT16, FAT32, NTFS; максимальный объем накопителя 2 ТБ. Корректная работа устройства гарантирована только при использовании лицензионных USB-накопителей известных производителей. Воспроизведение некоторых форматов аудио, видео и изображений может не поддерживаться.
 - Данное устройство поддерживает видеофайлы с расширением ASF, AVI, MKV, MPG, с видеокодеками WMV9, DIVX, H263, MPEG-4, MPEGII, XVID и аудиокодеками WMA, MP3, DD(AC3).
- Приведенный выше список расширений и кодеков является только информативным и не является обязательством по чтению всех файлов с указанными расширениями и кодеками.
- Воспроизведение некоторых AVI-файлов может оказаться невозможным в зависимости от их конфигурации и параметров, а также условий записи. Видеофайлы с расширением AVI объемом более 2 ГБ могут воспроизводиться устройством не полностью.
- Согласно стандарту USB 1.1/2.0 использование USB-устройства с током потребления более 500 мА не рекомендуется без использования дополнительного источника питания. Подключение без дополнительного питания USB-носителей, потребляющих ток, который превышает данное значение, а также неисправных USB-носителей может вызвать механические или термические

Управление устройством

изменения элементов конструкции данного устройства, а также выход из строя внутренних элементов защиты USB-порта. Такие повреждения не являются гарантийным случаем.

Внимание: использование внешних USB-устройств, содержащих файлы с расширением BIN в корневой директории, может привести к сбоям в работе устройства или к повреждению программного обеспечения.

Воспроизведение файлов

- Для возврата на предыдущий уровень меню выберите «Возврат» и нажмите кнопку ENTER.

- В меню содержимого нажимайте кнопки курсора, чтобы выбрать папку или файл, затем нажмите кнопку ENTER или CANCEL/▶, чтобы войти в выбранную папку. Тем же образом выберите файл, который Вы хотите просмотреть или прослушать. При выделении файла информация об этом файле будет отображаться в правой части экрана (недоступно для текстовых файлов), а миниатюра изображения будет показана в центре экрана (недоступно для аудио- и текстовых файлов). Нажмите кнопку ENTER или кнопку CANCEL/▶ для запуска выбранного файла.

- Во время воспроизведения нажмите кнопку ENTER; в нижней части экрана отобразится меню управления воспроизведением, в котором Вы можете выбирать операции с помощью кнопок курсора ВЛЕВО/ВПРАВО и подтвердить выполнение этой операции кнопкой ENTER. Операции представлены в таблице ниже:

	Воспроизведение или пауза	Все файлы
	Выбор предыдущего файла	Все файлы
	Выбор следующего файла	Все файлы

	Остановка воспроизведения и возврат к предыдущему меню	Все файлы
	Выбор режима повторного воспроизведения	Все файлы
	Воспроизведение музыки в фоновом режиме при просмотре фото или текста (сначала необходимо выбрать аудиофайл)	Фото и текст
	Отображение списка воспроизведения	Все файлы
	Отображение информации о файле	Все файлы
	Вращение изображения по часовой стрелке	Фото
	Вращение изображения против часовой стрелки	Фото
	Перемотка назад	Музыка
	Перемотка вперед	Музыка
	Отключение звука	
	Выбор времени (момента) начала воспроизведения	Музыка
	Повторное воспроизведение фрагмента. Нажмите ОК для выбора начальной точки фрагмента; нажмите ОК для выбора конечной точки фрагмента	Видео
	Замедленное воспроизведение	Видео
	Покадровое воспроизведение	Видео
	Увеличение масштаба	Видео
	Уменьшение масштаба	Видео

Управление устройством

	Выбор формата изображения	Видео
---	---------------------------	-------

- Во время воспроизведения нажмите кнопку CANCEL/▶|, чтобы установить воспроизведение на паузу или продолжить его. Нажмите кнопку INDEX/■, чтобы остановить воспроизведение.
- При воспроизведении файлов с изображениями, видео- и аудиофайлов нажмите кнопку REPEAT для выбора режима повторного воспроизведения. Нажмите кнопку ROOT для возврата к корневому меню накопителя.
- При воспроизведении аудиофайлов нажимайте кнопки ◀◀▶▶ для ускоренного воспроизведения назад или вперед. Для выбора предыдущего или следующего файла нажимайте кнопки ◀◀▶▶.
- При воспроизведении файлов с изображениями нажимайте кнопки ◀◀▶▶ для выбора предыдущего или следующего файла. Нажимайте кнопки курсора ВЛЕВО/ВПРАВО, чтобы вращать изображение.

Общая информация

Руководство по устранению неисправностей

Ниже приводится таблица, в которой описаны простые меры, способные помочь Вам устранить большую часть проблем, могущих возникнуть при использовании данного устройства. Если нижеуказанные меры не помогли, обратитесь в сервисный центр или к ближайшему дилеру.

Неисправность	Причина	Решение
Изображение и звук отсутствуют, индикатор не светится	Шнур питания не подсоединен. Контрастность, яркость, резкость, цвет и громкость установлены на минимальное значение или телевизор находится в беззвучном режиме.	Подсоедините шнур питания. Установите нужное значение контрастности, яркости, резкости, цвета и громкости.
Изображение и звук низкого качества	Контрастность и цвет настроены неверно. Установлена неверная система цвета. Установлена неверная система звука.	Настройте контрастность и цвет. Установите правильную систему звука.
Изображение в режиме VGA некорректное	Параметры разрешения на компьютере установлены неправильно.	Отрегулируйте параметры разрешения компьютера.
Изображение «заснеженное»	Сигнал низкого качества.	Используйте исправный и качественный кабель.
Синий фон	Отсутствует видео сигнал или кабель плохо подсоединен/не подсоединен.	Подсоедините кабель должным образом.
Звук отсутствует	Отсутствует аудио сигнал или кабель плохо подсоединен/не подсоединен.	Подсоедините кабель должным образом. Установите правильную сигнальную систему.
ПДУ не работает	Батарейки установлены неправильно или устарели.	Убедитесь, что полярность соблюдена. Замените батарейки на новые.

Источники помех

В Вашем телевизоре приняты все самые современные меры для устранения возможных помех, тем не менее, изображение может искажаться под воздействием местных электромагнитных излучений. Лучше всего в подобных случаях попытаться перенести телевизор в другое место и подвести к нему лучшую антенну.

- РАДИОЧАСТОТНЫЕ ПОМЕХИ

Появление на изображении ряби может свидетельствовать о наличии вблизи телевизора коротковолнового радиопередатчика или радиоприемника.

- **МЕДИЦИНСКОЕ ОБОРУДОВАНИЕ**

Появление на экране «елочки» или частичное исчезновение изображения может быть связано с работой медицинского оборудования в близлежащей больнице или клинике.

- **«СНЕГ» НА ЭКРАНЕ**

В зоне приема слабых сигналов отдаленных телевизионных станций изображение становится нестабильным, а на экране появляются мерцающие белые пятна, так называемый эффект «падающего снега». В этом случае помогает более точная настройка антенны и применение антенного усилителя.

- **ФАНТОМНЫЕ ИЗОБРАЖЕНИЯ**

Появление на экране нескольких контуров изображения объясняется тем, что телевизионный сигнал отражается от окружающих построек, холмов, самолетов и других объектов. Свести такой эффект к минимуму можно, изменив направление антенны.

- **АВТОМОБИЛЬНЫЕ ДВИГАТЕЛИ**

Работающие неподалеку автомобильные двигатели и электромоторы могут создавать помехи в изображении в виде небольших полосок или дрожания изображения на экране.

Комплект поставки

1. Телевизор	1 шт
2. Пульт дистанционного управления	1 шт
3. Подставка	1 шт
4. Основание	1 шт
5. Винт	8 шт
6. Информация для потребителя	1 шт
7. Гарантийный талон	1 шт
8. Руководство по эксплуатации	1 шт

Общая информация

 ЖК-панель является высокотехнологичным устройством, содержащим множество тонкопленочных транзисторов, которые дают четкие детали изображения. В некоторых случаях могут появляться неактивные точки на экране, которые имеют постоянный цвет (синий, зеленый, красный, черный или белый). Это не является дефектом и не влияет на характеристики Вашего ЖК-телевизора.

Технические характеристики могут быть изменены заводом-изготовителем без предварительного уведомления. Указанные геометрические размеры и масса имеют приблизительные значения.

Информация о наименовании и местонахождении изготовителя (уполномоченного изготовителем лица), телефон для связи с ним, а также месяц и год изготовления технического средства указаны в гарантийном талоне и информации для потребителя со списком сервисных центров.

TF-i.ED19/22/24S30_IM_01

